

Cisco CCNA Certification 200-150 Exam



- Vendor: Cisco
- Exam Code: 200-150
- Exam Name: Introducing Cisco Data Center Networking - DCICN

Get Complete Version Exam 200-150 Dumps with VCE and PDF Here



<https://www.passleader.com/200-150.html>

QUESTION 1

Which three layers of the OSI model are included in the application layer of the TCP/IP model? (Choose three.)

- A. 2
- B. 6
- C. 3
- D. 7
- E. 4

Answer: ACE

QUESTION 2

A customer wants to connect to their SAN via Fibre Channel. Which two devices can be used to provide connectivity? (Choose two.)

- A. Cisco Nexus 5548UP Switch
- B. Cisco MDS 9148 Multilayer Fabric Switch
- C. Cisco Nexus 2248TP GE Fabric Extender
- D. Cisco Catalyst 6509 Switch
- E. Cisco Nexus 7010 Switch

Answer: AB

QUESTION 3

Which two statements about configuring VLANs on the Cisco Nexus 7000 platform are true? (Choose two.)

- A. Software updates are disruptive to VLANs.
- B. VLANs with the same number are unique to their VDC.
- C. VLAN licensing is required for use.
- D. To change VLAN information, the administrator must be at the switch (config) # prompt.
- E. The command copy running-config startup-config will save changes to the VLAN database.

Answer: BE

QUESTION 4

What two actions can be taken to enable inter-VLAN communications in the data center? (Choose two.)

- A. extend Layer 2 services to a Layer 3 capable VLAN using Layer 3 tunneling
- B. use a routing protocol to direct packets into the Layer 2 network
- C. connect Layer 2 VLANs together with 802.1Q trunks
- D. deploy a router as a Layer 3 services gateway attached inside each Layer 2 VLAN
- E. install a Layer 3 capable switch in the data center

Answer: DE

QUESTION 5

An engineer created three VSANs on the Cisco MDS switch. VSAN 100 is allocated to the marketing department, VSAN 110 is allocated to the research department, and VSAN 120 is allocated to the business department. The engineer wants to verify that the interfaces for the

research department are allocated accordingly. Which command should the engineer use?

- A. mdsswitch# show vsan 110
- B. mdsswitch# show vsan membership
- C. mdsswitch# show vsan
- D. mdsswitch# show vsan usage

Answer: C

QUESTION 6

Which two statements are true regarding disruptive load balancing and regarding the configuration in this example? (Choose two).

- A. In this scenario disruptive load balancing is disabled.
- B. In this scenario disruptive load balancing is enabled.
- C. Since FCID: 0x1 c0000 is reserved, disruptive load balancing is not configured correctly.
- D. When disruptive load balancing is enabled, NPV redistributes the server interfaces across all available NP uplinks when a new NP uplink becomes operational. To move a server interface from one NP uplink to another NP uplink, NPV forces re initialization of the server interface so that the server performs a new login to the core switch.

Answer: CD

QUESTION 7

When command set will create an access control list on a Cisco Nexus switch to permit only unencrypted Web traffic from any source to destination host 10.10.1.110?

- A. N5K-A(config)#access-list 101 permit tcp any host 10.10.1.110 eq 80
- B. N5K-A(config)# ip access-list 101
N5K-A(config-acl)# permit tcp any host 10.10.1.110 eq 80
N5K-A(config-acl)# permit ip any any
- C. N5K-A(config)#ip access-list 101
N5K-A(config-acl)# permit tcp any host 10.10.110 eq 80
- D. N5K-A(config)#ip access-list 101 permit tcp any host 10.10.1.100 eq 80
N5K-A(config)#ip access-list 101 deny ip any any

Answer: B

QUESTION 8

Which type of media uses electromagnetic waves that are generated by lasers, is often used in campus backbones, and is capable of transmitting to a distance of 60 kilometers?

- A. shielded twisted-pair cable
- B. coaxial cable
- C. multimode fiber-optic cable
- D. single-mode fiber-optic cable

Answer: C

QUESTION 9

Which two terms can take the place of the wildcard mask in an ACL?

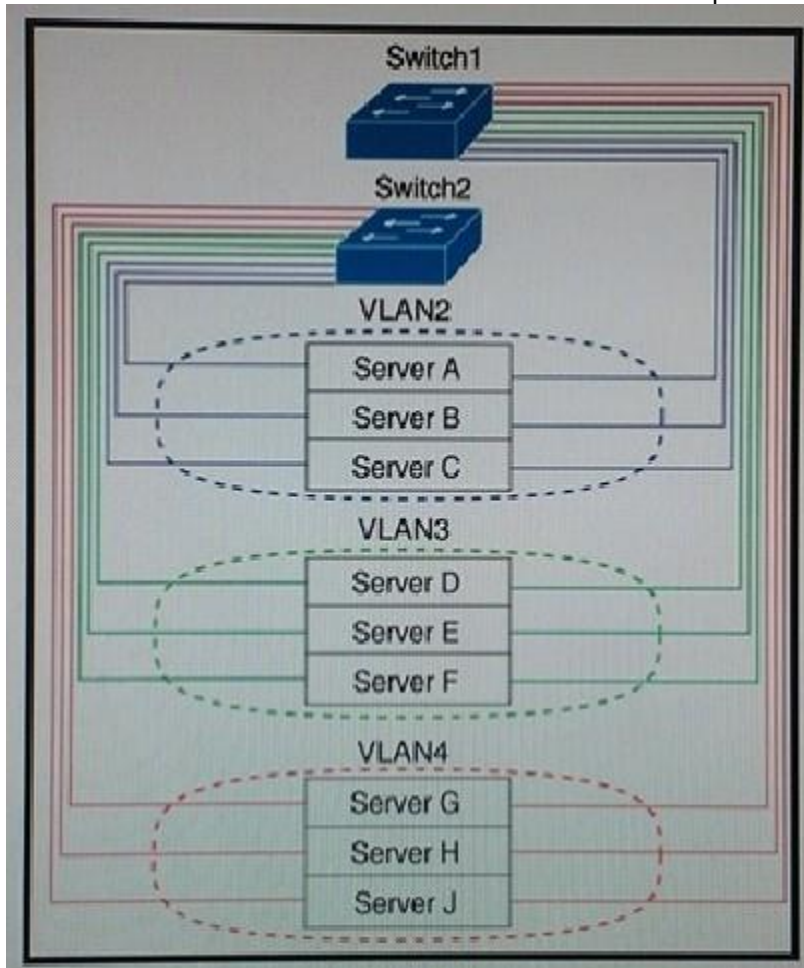
- A. eq

- B. deny
- C. host
- D. all
- E. any

Answer: BC

QUESTION 10

Refer to the exhibit. Two Layer 2 Cisco Nexus switches are connected to application servers in a data center. Server A cannot communicate with servers that are in VLANs 3 and 4, but it can communicate with server B and C. What is the cause of the problem?



- A. inter VLANs routing is not enabled on both switches.
- B. Switch 1 and switch 2 are not physically connected via an access link.
- C. A router must be connected to both switches and provide inter VLAN routing.
- D. Switch 1 and switch 2 not physically connected via a trunk link.

Answer: C

QUESTION 11

Which option describes what a switch does after it items that a host has connected to a switch port?

- A. Flood the frame only on all of its trunk ports.
- B. Create a MAC to port mapping entry in MAC table.
- C. Flood the frame only on all of its access ports.
- D. Discard the frame.

Answer: C

QUESTION 12

A network design team has decided to use a standard protocol to consolidate the Ethernet and San data using the existing Nexus switches. Which I/O technology can satisfy this need?

- A. FCoE
- B. IEEE 802.1ab
- C. SCS
- D. AToM

Answer: A

QUESTION 13

What are two physical components of the Cisco UCS B-Series server? (Choose two.)

- A. mezzanine slots
- B. power supplies (maximum of two)
- C. lockable front door
- D. redundant hot swappable fans
- E. CPU sockets

Answer: AD

QUESTION 14

A network engineer wants to apply for new license key file. Which command should be used to obtain the switch serial number?

- A. MDS-A# show license serial-number
- B. MDS- A# show running-config | include serial-number
- C. MDS- A# show host-id
- D. MDS- A# show license host-id

Answer: D

QUESTION 15

Which two features must be licensed on a Cisco Nexus 7000 Switch? (Choose two.)

- A. Virtual Port Channel
- B. Layer 3
- C. Virtual Device Contexts
- D. iSCSI
- E. Fibre Channel

Answer: BC

QUESTION 16

What native Fibre Channel technology facilitates connecting multiple Fibre devices behind a single FC address?

- A. Fiber Channel over Ethernet
- B. N-Port Virtualization
- C. Fibre Channel Arbitrated Loop
- D. N-Port Identification Virtualization

Answer: C

QUESTION 17

An engineer implemented a new VSAN and examined the F-mode trunks connecting an upstream switch. The engineer noticed that the new VSAN is stuck in initializing. Which two options explain why this is happening? (Choose two.)

- A. A device has not attempted to log in the ne VSAN across the trunk.
- B. Only the primary VSAN lists as active while subordinate VSANs stay initializing.
- C. The trunk must be disabled an re-enabled to join the new VSAN.
- D. Only the secondary VSAN lists as active while primary VSANs stay initializing.
- E. The new VSAN has not been configured in the upstream switch.

Answer: AE

QUESTION 18

Which two options are multicast addresses? (Choose two.)

- A. FD00::2
- B. 192.168.2.2
- C. FF05::2
- D. 226.10.10.10
- E. 240.1.0.1

Answer: CE

QUESTION 19

Which two options are file-based storage protocols? (Choose two.)

- A. Telnet
- B. CIFS
- C. Fibre Channel
- D. NFS
- E. iSCSI

Answer: BD

QUESTION 20

A SAN administrator recently added a new zone to the VSAN 2 zone set named zone set2, but the server is still unable to access the shared storage. Which command will resolve this issue?

- A. zone copy active-zoneset ful-zoneset

- B. zoneset activate zoneset2
- C. zone default-zone permit vsan 2

Answer: C

QUESTION 21

Refer to the exhibit. What type of network communication is depicted?

Preamble	DST	SRC	Length	Data	FCS
8 Bytes	22 Bytes			Max 1,492 Bytes	4 Bytes

- A. 802.3 frame
- B. TCP packet
- C. UDP packet
- D. Ethernet frame

Answer: A

QUESTION 22

What is the maximum distance that is supported by Cisco passive Twinax cables?

- A. 5m
- B. 3m
- C. 4m
- D. 10m

Answer: A

QUESTION 23

What two technologies can be used to connect to storage arrays on a converged Ethernet IP network? (Choose two.)

- A. FCoE
- B. Fiber Channel
- C. iSCSI
- D. InfinBand
- E. FabricPath

Answer: AC

QUESTION 24

Which situation will cause a switch to flood traffic out all of the ports on the switch?

- A. The switch receives a destination MAC address of 0000.0000.0000
- B. The switch receives a destination MAC address of ffff.fff.fff
- C. The switch receives a source MAC address of 0000.0000.0000
- D. The switch's TCAM reaches the MAC address limit

E. The switch was configured in cut-through mode

Answer: B

QUESTION 25

What layer of the OSI Model provides the logical addressing that routers use for path determination?

- A. transport
- B. network
- C. application
- D. presentation

Answer: B

QUESTION 26

What are three features of the IPv6 protocol? (Choose three.)

- A. optional IPsec
- B. autoconfiguration
- C. no broadcasts
- D. complicated header
- E. plug-and-play
- F. checksums

Answer: BCE

QUESTION 27

Which table in a switch must be populated with forwarding information as to reduce Layer 2 flooding in the network?

- A. MAC table
- B. forwarding table
- C. ARP table
- D. routing table

Answer: A

QUESTION 28

A network engineer proposes that old hubs be replaced by new Layer 2 switches in the company network. Which three are reasons for this proposal? (Choose three.)

- A. Each port on a switch becomes its own collision domain.
- B. Layer 2 switches provide IP routing at line card speed.
- C. Hubs create one large collision domain and one large broadcast domain, which greatly decreasing network performance.
- D. Switches create one large collision domain and one large broadcast domain, which greatly increases network performance.
- E. By connecting each device directly to a port on the hub, each port on a switch becomes its own broadcast domain.
- F. Data transmission is faster on switches because switches work at line card speed.

Answer: ACF

QUESTION 29

To improve security, a network engineer needs to configure an access list on a router. In which mode can this list be configured?

- A. global configuration
- B. user access
- C. user privileged
- D. interface configuration

Answer: A

QUESTION 30

What is the minimum number of disks that are needed in RAID 1?

- A. 4 disks
- B. 2 disks
- C. 8 disks
- D. 16 disks

Answer: A

QUESTION 31

What is the minimum number of fabric modules that should be installed in the Cisco Nexus 7000 chassis for N 1 redundancy using M1-Series line card?

- A. 3
- B. 4
- C. 5
- D. 6

Answer: A

QUESTION 32

Which address and subnet combination is valid for a host assignment?

- A. 172.23.175.210/15
- B. 10.100.74.127/25
- C. 192.168.73.223/29
- D. 10.230.33.15/28

Answer: C

QUESTION 33

Refer to the exhibit. What two conclusions can be made based upon the output? (Choose two.)

INTERFACE	VSAN	FCID	PORT NAME	NODE NAME
fc7/1	1	0xb200e2	21:00:00:04:cf:27:4b:2c	20:00:00:04:cf:27:4b:2c
fc7/1	1	0xb200e1	21:00:00:04:cf:4c:18:01	20:00:00:04:cf:4c:18:01
fc7/1	1	0xb200d1	21:00:00:04:cf:4c:18:64	20:00:00:04:cf:4c:18:64
fc7/1	1	0xb200ce	21:00:00:04:cf:4c:16:aa	20:00:00:04:cf:4c:16:aa
fc7/1	1	0xb200cd	21:00:00:04:cf:4c:18:ab	20:00:00:04:cf:4c:18:ab

- A. regular format WWNs are being used
- B. the command show flogl database was run
- C. the command show fcns database vsan 1 was run
- D. registered name format WWNs are being used
- E. extended format WWNs are being used

Answer: BD

QUESTION 34

A customer requires two separate physical pathways between multiple initiators and multiple targets. Which technology meets this requirement on a single Cisco MDS9148 switch?

- A. zoning
- B. port security
- C. LUN masking
- D. VSANs

Answer: D

QUESTION 35

Which device does a network engineer use to break the network environment into smaller collision domains?

- A. switch
- B. router
- C. hub
- D. repeater
- E. CSU/DSU

Answer: A

QUESTION 36

An engineer must copy a new configuration to a Cisco Nexus 7010 Switch from a TFTP server. Which two commands should be used to retain the configuration after a reboot? (Choose two.)

- A. write memory
- B. copy running-config startup-config
- C. copy tftp://10.10.1.1/my-config running-config
- D. copy tftp://10.10.1.1/my-config startup-config

E. write erase

Answer: BC

QUESTION 37

At which layer of the OSI Model is TCP traffic encapsulated?

- A. transport
- B. data-link
- C. presentation
- D. application

Answer: A

QUESTION 38

Which two hosts are part of subnet 172.16.160.0/20? (Choose two.)

- A. 172.16.168.0
- B. 172.16.176.1
- C. 172.16.160.255
- D. 172.16.160.0
- E. 172.16.176.255

Answer: CD

QUESTION 39

Which command should be used to determine which hosts are Fibre Channel targets?

- A. MDS-A# show host database
- B. MDS-A# show flogi database
- C. MDS-A# show fens database
- D. MDS-A# show host-id

Answer: C

QUESTION 40

Which two options are benefits of deploying FCoE beyond the access layer?

- A. higher throughput compared to native Fibre Channel switches.
- B. FCoE cannot be deployed beyond the access layer.
- C. reduction in equipment requirements.
- D. improved security compared to traditional Fibre Channel.
- E. increased application support.

Answer: AC

QUESTION 41

Which command set creates an access control list on a Cisco Nexus switch to deny only FTP traffic from any source to destination host 10.10.10.10?

- A. N5K-A(config)# Ip access-list 101
N5K-A(config-acl)# deny judp any host 10.10.1.110. eq 21

- N5K-A(config-acl)# permit ip any any
- B. N5K-A(config)# Ip access-list 101
N5K-A(config-acl)# deny judp any host 10.10.1.110. eq ftp
- C. N5K-A(config)# deny tcp any host 10.10.1.110. eq ftp
N5K-A(config)# access-list 101deny Ip any any
- D. N5K-A(config)# Ip access-list 101
N5K-A(config-acl)# deny tcp any host 10.10.1.110. eq 21
N5K-A(config-acl)# permit Ip any any

Answer: D

QUESTION 42

An administrator connected a new server to a Cisco MDS 9222i on Port FCL/20, but did not capture the world wide node name of the host bus adapter. Which command returns the needed information?

- A. show wwn status
B. show Interface fc 1/20
C. show flogi database
D. show fcs database

Answer: C

QUESTION 43

At which layer of the OSI Model is TCP traffic encapsulated?

- A. transport
B. data-link
C. application
D. presentation

Answer: A

QUESTION 44

Which statement is true regarding FIP in FCoE enabled Storage Area Networks?

- A. It discovers and initializes converged network capable devices connected to an Ethernet cloud.
B. it uses a dedicated EtherType of 0xFFFF.
C. it reduces the number of network interface cards required to connect to disparate storage and IP networks.
D. It reduces the number of cables and switches.

Answer: A

QUESTION 45

A network engineer is verifying Layer 2 connectivity of a server to a Cisco Nexus switch by checking the Address Resolution table statistics. Which command shows the MAC address, physical interfacd, VLAN and IP address of a server on a Cisco Nexus switch?

- A. show Ip arp interface
B. show Ip arp
C. show Ip arp detail
D. show arp detail

Answer: C

QUESTION 46

Which address type is used in IPv4 but is not used in IPv6?

- A. multicast
- B. broadcast
- C. anycast
- D. unicast

Answer: B

QUESTION 47

A network uses on pair of Layer 3 switches for core and distribution purposes. Which design is this network using?

- A. collapsed core
- B. collapsed distribution
- C. collapsed Layer 3 core
- D. collapsed Layer 2-3

Answer: A

QUESTION 48

What describes how the 802.1Q protocol lactates the transmission of multiple Layer 2 networks on a single link?

- A. adds 802.1Q tag information between the source MAC address and the Ether Type/Length fields
- B. encapsulates the frame inside an 802.1Q tunnel
- C. adds 802.1Q tag information between the preamble and the destination MAC address
- D. encapsulates the packet inside an 802.1Q tunnel
- E. transparently directs packets based on 802.1Q tags inside the header

Answer: B

QUESTION 49

Which address is valid in the data link layer of the OSI reference model?

- A. 192.168.20.1
- B. 09-1B-02-1C-87
- C. 07-AB-02-1F-35-C8
- D. 172.16.10.12

Answer: C

QUESTION 50

Which two statements describe characteristics of IPv6 unicast addressing? (Choose two.)

- A. Global addresses start with 2000::/3.
- B. Link-local addresses start with FE00:/12.
- C. Link-local addresses start with FF00::/10.

- D. There is only one loopback address and it is ::1.
- E. If a global address is assigned to an interface, then that is the only allowable address for the interface.

Answer: AD

QUESTION 51

The network administrator has been asked to give reasons for moving from IPv4 to IPv6. What are two valid reasons for adopting IPv6 over IPv4? (Choose two.)

- A. no broadcast
- B. change of source address in the IPv6 header
- C. change of destination address in the IPv6 header
- D. Telnet access does not require a password
- E. autoconfiguration
- F. NAT

Answer: AE

QUESTION 52

Switch A has BPDU filtering configured on all active interfaces. A second switch, Switch B, is connected to Switch A. Which two actions will Switch A take when Switch B is connected to it? (Choose two.)

- A. Switch A will not send any BPDUs.
- B. Switch A will transition the port a normal spanning tree port.
- C. Switch A will not accept any BPDUs.
- D. Switch A will errdisable the port.
- E. Switch A will start sending BPDUs to Switch B.

Answer: AD

QUESTION 53

An engineer is configuring a new MDS switch. The switch is powered on, the customer connects to the console, and the initial setup script is started. Which two items can be configured during this setup process?

- A. default port-channel mode
- B. default port VSAN membership
- C. default switch port interface state
- D. default zone mode
- E. default storage VDC

Answer: CD

QUESTION 54

Which Cisco UCS power policy mode enables a configuration that can tolerate the loss of an input power circuit?

- A. nonredundant
- B. Grid
- C. N+1 in normal mode

D. N+1 in high-density mode

Answer: D

QUESTION 55

What is the maximum working distance of a 1000BASE-ZE SFP transceiver when ordinary single mode fiber?

- A. up to 70 kilometers
- B. up to 40 kilometers
- C. up to 550 meters
- D. up to 10 kilometers

Answer: D

QUESTION 56

Refer to the exhibit. Which type of network communication is depicted?

	SOF	DST	SRC	Length	Data	FCS
7 Bytes	1 byte	22 Bytes			Max 1,492 Bytes	

- A. 802.3 frame
- B. TCP frame
- C. Ethernet packet
- D. UDP packet

Answer: A

QUESTION 57

Which protocol is supported when OSPFv2 is used as the routing protocol?

- A. NetBios
- B. LAT
- C. IPv4
- D. IPv6

Answer: C

QUESTION 58

Which two port types are needed to build out an FCoE pass-through switch in NPV mode while maintaining Fiber Channel packet visibility? (Choose two.)

- A. VN Port
- B. VE Port
- C. VF Port
- D. Edge Port
- E. N Port

Answer: BD

QUESTION 59

A network design team has mandated that IP-only routing protocols be used in the network. Which two routing protocols will they want to use? (Choose two.)

- A. BGP
- B. OSPF
- C. RP
- D. EIGRP
- E. IS-IS

Answer: BE

QUESTION 60

What is the maximum of fabric modules that can be installed in a Cisco Nexus 7000 chassis?

- A. 5
- B. 6
- C. 4
- D. 7

Answer: A

QUESTION 61

What is the principle function of the data center core layer?

- A. high-speed packet switching
- B. access control
- C. firewalling and intrusion prevention
- D. QoS marking

Answer: A

QUESTION 62

Which two options are valid VTP commands? (Choose two.)

- A. feature vtp
- B. vtp client mode
- C. vtp VLAN
- D. vtp version
- E. vtp static

Answer: AD

QUESTION 63

Which two are functions of the data center access layer? (Choose two.)

- A. server connections
- B. VLAN creation
- C. packet filtering

- D. high data transfer rate
- E. high network fault tolerance

Answer: AB

QUESTION 64

How many bits are contained in each field of an IPv6 address?

- A. 24
- B. 4
- C. 8
- D. 16

Answer: D

QUESTION 65

When you configure the Call Home feature on the Cisco Nexus 5000 Series Switch, which three parameters are mandatory? (Choose three.)

- A. contract ID
- B. email-contact
- C. switch priority
- D. phone number
- E. customer ID
- F. site ID
- G. street address

Answer: BDG

QUESTION 66

Which field in an Ethernet frame is used to verify that the received frame contains no errors?

- A. FCS
- B. type
- C. preamble
- D. segment
- E. protocol

Answer: A

QUESTION 67

Which IPv6 address is the equivalent of the IPv4 interface loopback address 127.0.0.1?

- A. ::1
- B. ::
- C. 2000::/3
- D. 0::/10

Answer: A

QUESTION 68

Which three statements about IPv6 prefixes are true? (Choose three.)

- A. FF00::/8 is used for IPv6 multicast.
- B. FE80::/10 is used for link-local unicast.
- C. FC00::/7 is used in private networks.
- D. 2001::1/127 is used for loopback addresses.
- E. FE80::/8 is used for link-local unicast.
- F. FEC0::/10 is used for IPv6 broadcast.

Answer: ABC

QUESTION 69

Which two options describe Junctions of the data center aggregation layer? (Choose two.)

- A. services layer
- B. high-speed packet switching O repeater
- C. access control
- D. QoS marking

Answer: AC

QUESTION 70

Which option includes the two devices that can be connected when a Cisco Fabric Extender Transceiver is used?

- A. Server to Cisco Nexus 5548 Switch
- B. Server to Cisco Nexus 5010 Switch
- C. Cisco Nexus 2000 Series Fabric Extender to Cisco Nexus 5500 Switch
- D. Server to Cisco Nexus 2000 Series Fabric Extender

Answer: C

QUESTION 71

Refer to the exhibit. NP uplink ports connected to the core NPIV switch do not come online and are stuck in an initializing state. Which options is a cause for this behavior?

```
switch(config-if)# sh int fc2/1
fc2/1 is down (Initializing)
Hardware is Fibre Channel, SFP is short wave laser w/o OFC (SN)
Port WWN is 20:42:00:0d:ec:a4:3b:80
Admin port mode is NP, trunk mode is on
```

- A. The upstream NP Ports and the downstream server F Ports on the NPV edge switch may not be in the same VSA.
- B. The core switch has not been enabled for NPIV.
- C. The upstream VSAN ports and the server ports are in full duplex mode.
- D. Related VSAN identifier is not allowed on Virtual Port Channels toward the edge switch.

Answer: B

QUESTION 72

Instructions

- **THIS TASK DOES NOT REQUIRE DEVICE CONFIGURATION.**
- To access the multiple-choice questions, click on the numbered boxes on the left of the top panel.
- There are **four** multiple-choice questions with this task. Be sure to answer all four questions before selecting the Next button.

Scenario

Customer is configuring FCoE and NPV in their Data Center on Cisco Nexus 5000 Series Switches. Please go through the Topology and Exhibit 1 through 4 to answer the questions.

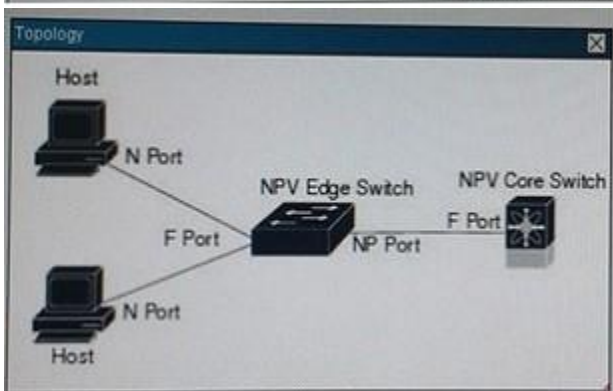


Exhibit 1

```
switch# configure terminal
switch(config)# npv enable
```

```

Exhibit 2
switch# show npv flogi-table
-----
SERVER                                     EXTERNAL
INTERFACE VSAN FCID                      PORT NAME                                NODE NAME                                INTERFACE
-----
vfc3/1    1    0xee0008 10:00:00:00:c9:60:e4:9a 20:00:00:00:c9:60:e4:9a fc2/1
vfc3/1    1    0xee0009 20:00:00:00:0a:00:00:01 20:00:00:00:c9:60:e4:9a fc2/2
vfc3/1    1    0xee000a 20:00:00:00:0a:00:00:02 20:00:00:00:c9:60:e4:9a fc2/3
vfc3/1    1    0xee000b 33:33:33:33:33:33:33:33 20:00:00:00:c9:60:e4:9a fc2/4
Total number of flogi = 4
  
```

```

Exhibit 3
switch# show npv status
npiv is enabled

External Interfaces:
=====
Interface: fc2/1, VSAN: 1, FCID: 0x1c0000, State: Up
Interface: fc2/2, VSAN: 1, FCID: 0x040000, State: Up
Interface: fc2/3, VSAN: 1, FCID: 0x260000, State: Up
Interface: fc2/4, VSAN: 1, FCID: 0x1a0000, State: Up
Number of External Interfaces: 4

Server Interfaces:
=====
Interface: vfc3/1, VSAN: 1, NPIV: No, State: Up
Number of Server Interfaces: 1
  
```

```

Exhibit 4
switch# show npv status
npiv is enabled
disruptive load balancing is enabled

External Interfaces:
=====
Interface: fc2/1, VSAN: 2, FCID: 0x1c0000, State: Up
  
```

What can you tell about server ports and their external Interfaces from the exhibits?

- A. vfc3/1 is not correctly connected to server external interface fc2/1.
- B. vfc3/1 is not correctly connected to server external interface fc2/1 and flogi are unsuccessful.
- C. Server interface vfc3/1 is assigned to NP uplinks fc2/1, fc2/2, fc2/3, and fc2/4. There are 4 successful flogi.
- D. Server interface vfc3/1 is assigned to NP uplinks fc2/1, fc2/2, fc2/3, and fc2/4. There are 4 flogi are in initialization state.

Answer: B

QUESTION 73

The screenshot displays a Cisco exam interface with four main sections:

- Instructions:** A window with a close button (X) containing the text: "THIS TASK DOES NOT REQUIRE DEVICE CONFIGURATION. To access the multiple-choice questions, click on the numbered boxes on the left of the top panel. There are four multiple-choice questions with this task. Be sure to answer all four questions before selecting the Next button."
- Scenario:** A window with a close button (X) containing the text: "Customer is configuring FCoE and NPV in their Data Center on Cisco Nexus 5000 Series Switches. Please go through the Topology and Exhibit 1 through 4 to answer the questions."
- Topology:** A network diagram window with a close button (X) showing two Hosts connected to an NPV Edge Switch via N Ports. The NPV Edge Switch is connected to an NPV Core Switch via F Ports. The NPV Core Switch also has an F Port.
- Exhibit 1:** A terminal window with a close button (X) showing the following commands: "switch# configure terminal" and "switch(config)# npv enable".

```

Exhibit 2
switch# show npv flogi-table
-----
SERVER                                     EXTERNAL
INTERFACE VSAN FCID                       PORT NAME                               NODE NAME                               INTERFACE
-----
vfc3/1    1    0xee0008 10:00:00:00:c9:60:e4:9a 20:00:00:00:c9:60:e4:9a fc2/1
vfc3/1    1    0xee0009 20:00:00:00:0a:00:00:01 20:00:00:00:c9:60:e4:9a fc2/2
vfc3/1    1    0xee000a 20:00:00:00:0a:00:00:02 20:00:00:00:c9:60:e4:9a fc2/3
vfc3/1    1    0xee000b 33:33:33:33:33:33:33:33 20:00:00:00:c9:60:e4:9a fc2/4
Total number of flogi = 4
  
```

```

Exhibit 3
switch# show npv status
npiv is enabled

External Interfaces:
=====
Interface: fc2/1, VSAN: 1, FCID: 0x1c0000, State: Up
Interface: fc2/2, VSAN: 1, FCID: 0x040000, State: Up
Interface: fc2/3, VSAN: 1, FCID: 0x260000, State: Up
Interface: fc2/4, VSAN: 1, FCID: 0x1a0000, State: Up
Number of External Interfaces: 4

Server Interfaces:
=====
Interface: vfc3/1, VSAN: 1, NPIV: No, State: Up
Number of Server Interfaces: 1
  
```

```

Exhibit 4
switch# show npv status
npiv is enabled
disruptive load balancing is enabled

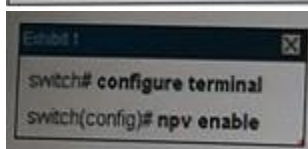
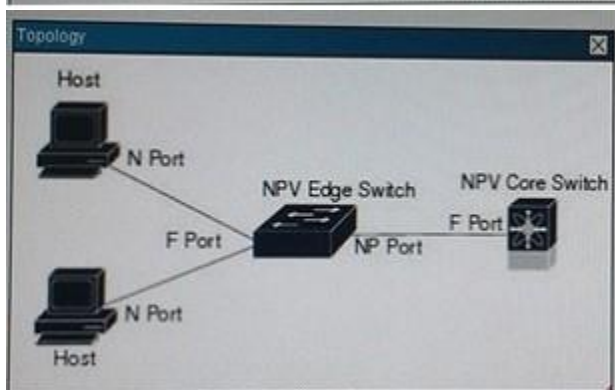
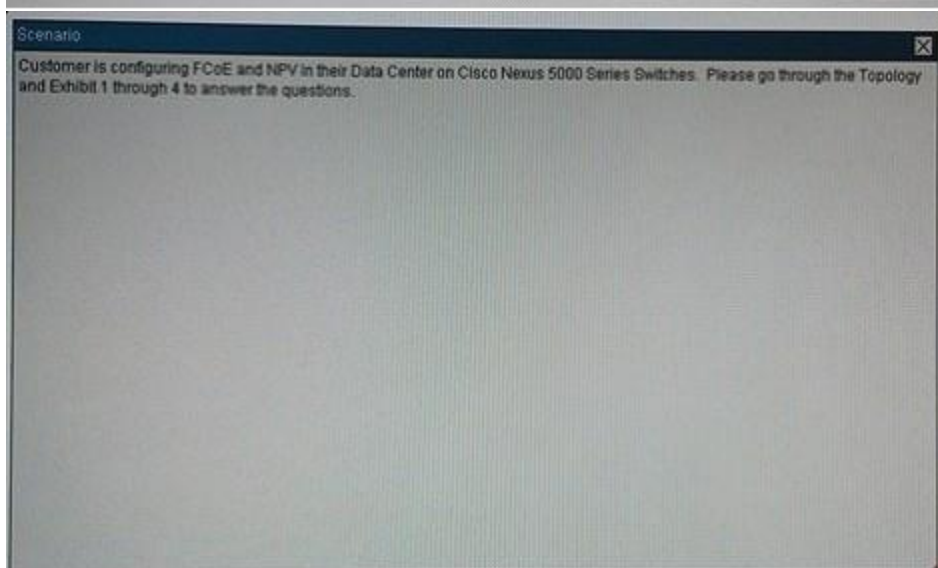
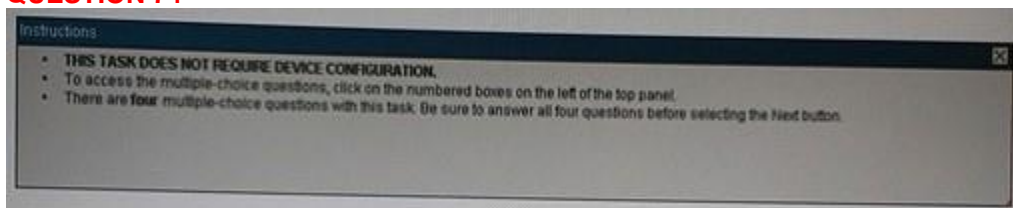
External Interfaces:
=====
Interface: fc2/1, VSAN: 2, FCID: 0x1c0000, State: Up
  
```

Which statement regarding Cisco Nexus 5000 Series switches is true?

- A. Cisco Nexus 5000 Series switches operate in r routing mode.
- B. Cisco Nexus 5000 Series switches operate in FCoE mode.
- C. Cisco Nexus 5000 Series switches operate in fabric mode.
- D. Cisco Nexus 5000 Series switches operate in NPV mode.

Answer: A

QUESTION 74



```
Exhibit 2
SWITCH# show npv flogi-table
-----
SERVER                                     EXTERNAL
INTERFACE VSAN FCID                       PORT NAME                               NODE NAME                               INTERFACE
-----
vfc3/1    1    0xee0008 10:00:00:00:c9:60:e4:9a 20:00:00:00:c9:60:e4:9a fc2/1
vfc3/1    1    0xee0009 20:00:00:00:0a:00:00:01 20:00:00:00:c9:60:e4:9a fc2/2
vfc3/1    1    0xee000a 20:00:00:00:0a:00:00:02 20:00:00:00:c9:60:e4:9a fc2/3
vfc3/1    1    0xee000b 33:33:33:33:33:33:33:33 20:00:00:00:c9:60:e4:9a fc2/4
Total number of flogi = 4
```

```
Exhibit 3
switch# show npv status
npiv is enabled

External Interfaces:
=====
Interface: fc2/1, VSAN: 1, FCID: 0x1c0000, State: Up
Interface: fc2/2, VSAN: 1, FCID: 0x040000, State: Up
Interface: fc2/3, VSAN: 1, FCID: 0x260000, State: Up
Interface: fc2/4, VSAN: 1, FCID: 0x1a0000, State: Up
Number of External Interfaces: 4

Server Interfaces:
=====
Interface: vfc3/1, VSAN: 1, NPIV: No, State: Up
Number of Server Interfaces: 1
```

```
Exhibit 4
switch# show npv status
npiv is enabled
disruptive load balancing is enabled

External Interfaces:
=====
Interface: fc2/1, VSAN: 2, FCID: 0x1c0000, State: Up
```

Which statement is true regarding configuring NPV mode?

- A. When you enable NPV, the system configuration is erased and t* switch reboots
- B. When you enable NPV, the system configuration is not erased and the does not switch reboot
- C. In Exhibit 3 NPV is enabled, but Server interface to the external switch is not bed to correct vfc 2/1
- D. m NPV mode, the core switch relays traffic from server-side ports to the edge switch and core swtich provides N ports

Answer: C

QUESTION 75

Drag and Drop Question

Drag and drop each port description on the left to the port type on the right required to support it.

Drag and drop each port description on the left to the port type on the right required to support it.

server port	Ethernet
Fibre Channel uplink port	
Fibre Channel storage port	
appliance port channel member	
appliance port	Fibre Channel
Ethernet uplink port	
FCoE port	

Answer:

Drag and drop each port description on the left to the port type on the right required to support it.

Ethernet

- Fibre Channel uplink port
- Fibre Channel storage port
- appliance port channel member
- appliance port
- FCoE port

Fibre Channel

- Ethernet uplink port
- server port

QUESTION 76

Which two network topologies are the most popular in switching? (Choose two.)

- A. Bus
- B. Token passing bus
- C. Star
- D. Extended star
- E. Ring

Answer: CD

Explanation:

http://en.wikipedia.org/wiki/Network_topology

QUESTION 77

Which two VTP modes allow the creation of local VLANs? (Choose two.)

- A. transparent
- B. native
- C. server
- D. client
- E. on

Answer: AC

QUESTION 78

Which three terms are used to describe data at Layers 1, 2, and 4 of the OSI model? (Choose three.)

- A. PDUs
- B. Bits
- C. Sequences
- D. Segments
- E. Packets
- F. Frames

Answer: BDF

Explanation:

Bits - 1 layer

Frames - 2 layer

Segments - 4 layer

http://en.wikipedia.org/wiki/OSI_model

QUESTION 79

What are two attributes of a VLAN? (Choose two.)

- A. A VLAN defines a collision domain.
- B. A VLAN defines a broadcast domain.
- C. Broadcasts are flooded to all VLANs.
- D. Collisions are flooded to all VLANs.
- E. A Layer 3 device is required to route packets between VLANs.
- F. A Layer 2 device is required to route packets between VLANs.

Answer: BE

Explanation:

- "In computer networking, a single layer-2 network may be partitioned to create multiple distinct broadcast domains, which are mutually isolated so that packets can only pass between them via one or more routers; such a domain is referred to as a virtual local area network, virtual LAN or VLAN."

- "A router (Layer 3 device) serves as the backbone for network traffic going across different VLANs."

http://en.wikipedia.org/wiki/Virtual_LAN

QUESTION 80

Which device would you select to partition a network into VLANs?

- A. repeater
- B. bridge
- C. switch
- D. router
- E. hub

Answer: C

QUESTION 81

On which two components of a router can a copy of a running-configuration file be saved manually by an engineer for backup purposes? (Choose two.)

- A. NVRAM
- B. Flash

- C. ROM
- D. RAM
- E. DRAM

Answer: AB

QUESTION 82

Which VTP mode disallows the creation of local VLANs?

- A. transparent
- B. tunneling
- C. server
- D. client
- E. off
- F. native

Answer: D

Explanation:

"A VTP client behaves like a VTP server and transmits and receives VTP updates on its trunks, but you cannot create, change, or delete VLANs on a VTP client. VLANs are configured on another switch in the domain that is in server mode."

http://www.cisco.com/en/US/docs/switches/lan/catalyst3560/software/release/12.2_52_se/configuration/guide/swvtp.html#wp1205076

QUESTION 83

Which layer of the OSI model is associated with the reliable transmission of datagrams?

- A. Datagram
- B. Routing
- C. Network
- D. Data link
- E. Transport
- F. Transmission
- G. Session

Answer: E

Explanation:

http://en.wikipedia.org/wiki/Transport_layer

QUESTION 84

Which three options describe routers compared to switches? (Choose three.)

- A. Use IP address tables for information lookup
- B. Concerned with packet forwarding
- C. Operate at Layer 3 of the OSI model
- D. Operate at Layer 2 of the OSI model
- E. Use MAC address tables for information lookup
- F. Concerned with the local delivery of frames

Answer: ABC

QUESTION 85

Which four statements indicate unique properties of VLAN 1 on Cisco Nexus switches? (Choose four.)

- A. VLAN 1 is used to flood multicast traffic.
- B. VLAN 1 cannot be deleted.
- C. VLAN 1 is used for Cisco Discovery Protocol.
- D. VLAN 1 is used for VTP advertisements.
- E. VLAN 1 defines a collision domain.
- F. VLAN 1 defines a broadcast domain.

Answer: BCDF

QUESTION 86

At which layer of the OSI model does TCP operate?

- A. 1
- B. 2
- C. 3
- D. 4
- E. 5

Answer: D

Explanation:

http://en.wikipedia.org/wiki/OSI_model

QUESTION 87

Which two layers of the OSI model are combined in the Internet protocol suite network access layer? (Choose two.)

- A. 1
- B. 2
- C. 3
- D. 4
- E. 5
- F. 6
- G. 7

Answer: AB

Explanation:

http://en.wikipedia.org/wiki/Internet_protocol_suite

QUESTION 88

A switch is configured to be part of a VTP domain so that its VLAN database is not affected by any changes in the domain. Which mode should be configured on this switch?

- A. client
- B. transparent
- C. server
- D. neutral

Answer: B

QUESTION 89

What action does a switch take if the destination MAC address is unknown?

- A. Discard frame
- B. Send ICMP unreachable message to source
- C. Flood packet on all ports
- D. Compare destination IP address against an ACL to determine if it is permitted
- E. Send gratuitous ARP on all ports and wait for reply before forwarding

Answer: C

Explanation:

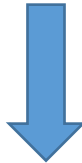
"What happens though when the switch receives a frame with a destination MAC address that is not included in the table? In that case the switch will just broadcast/flood the frame with the unknown destination address to all of its ports (apart from the port where the frame came from). This process is called unknown unicast flooding."

<http://telconotes.wordpress.com/2013/03/09/how-a-switch-works/>

QUESTION 90

.....

Get Complete Version Exam 200-150 Dumps with VCE and PDF Here



<https://www.passleader.com/200-150.html>